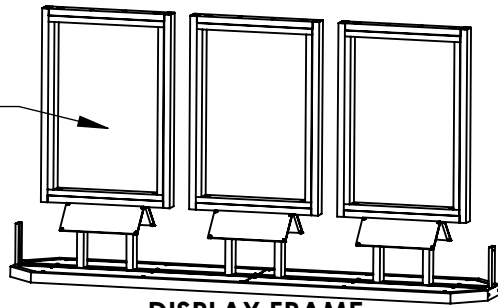


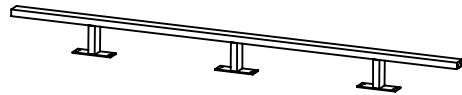
PACKLIST AND INSTRUCTIONS FOR INLINE 3-WINDOW DISPLAY "A"



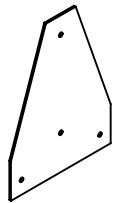
WINDOWS AND TRIM INSTALLED BUT NOT SHOWN [3] PLACES



DISPLAY FRAME
QTY: 1



TOP TUBE WELDMENT
QTY: 1

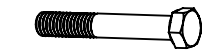


SIDE SUPPORT PLATE
QTY: 2



3/8 WASHER BLACK
QTY: 24

SIDE TUBE
QTY: 2



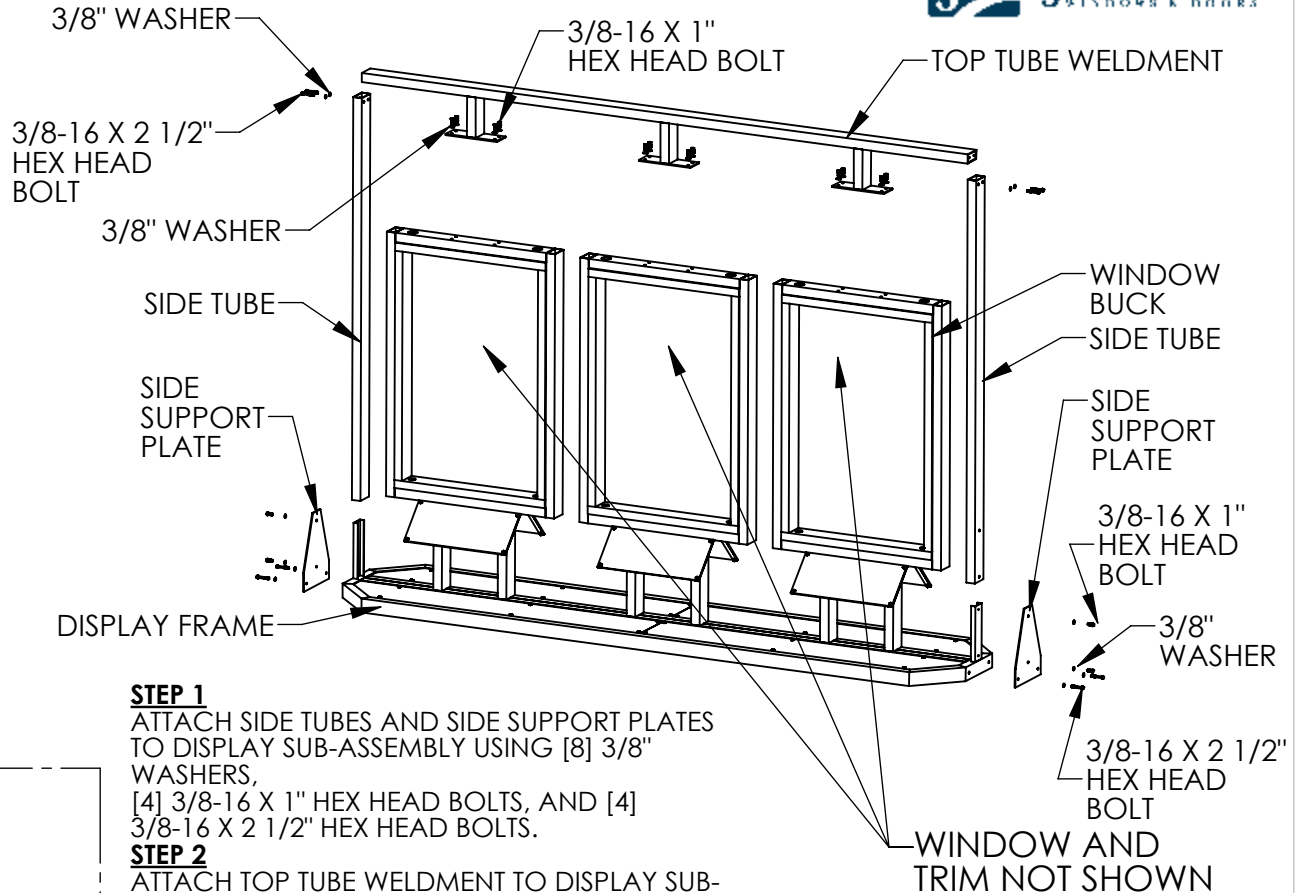
3/8-16 X 2 1/2" BLACK HEX HEAD BOLT
QTY: 8



3/8-16 X 1" BLACK HEX HEAD BOLT
QTY: 16

MISC:

[1] PACKLIST/INSTRUCTION SHEET

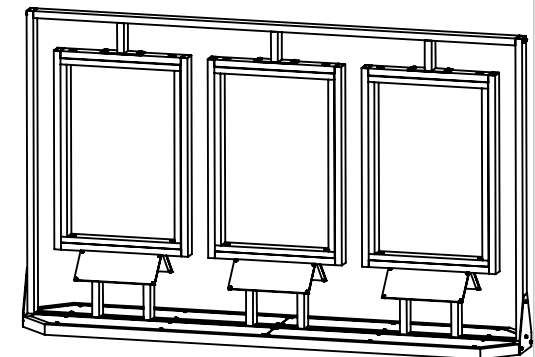


STEP 1

ATTACH SIDE TUBES AND SIDE SUPPORT PLATES TO DISPLAY SUB-ASSEMBLY USING [8] 3/8" WASHERS, [4] 3/8-16 X 1" HEX HEAD BOLTS, AND [4] 3/8-16 X 2 1/2" HEX HEAD BOLTS.

STEP 2

ATTACH TOP TUBE WELDMENT TO DISPLAY SUB-ASSEMBLY AND SIDE TUBES USING [16] 3/8" WASHERS, [12] 3/8-16 X 1" HEX HEAD BOLTS, AND [4] 3/8-16 X 2 1/2" HEX HEAD BOLTS.



ASSEMBLED VIEW
(WINDOWS AND TRIM NOT SHOWN)

Questions/Concerns
Please contact **JELD-WEN**
Visual Merchandising
1-888-535-3936

visualmerchandising@jeld-wen.com

REV. 2
7/1/15