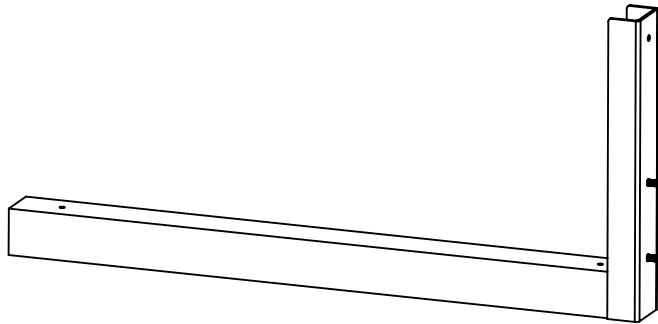
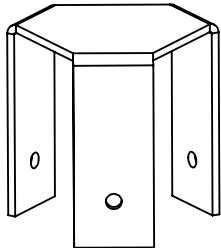


PACKLIST AND INSTRUCTIONS FOR JELD-WEN 3 DOOR DISPLAY



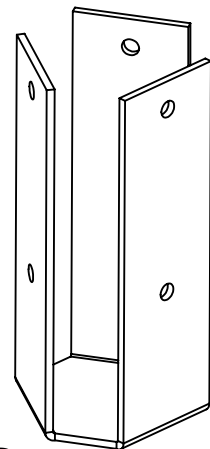
**BOTTOM DOOR BRACKET
W/BLACK TUBE CAP IN END
QTY: 3**



**TOP HUB
BRACKET
QTY: 1**



**#10 X 1-1/2"
PHILLIPS PANHEAD
WOODSCREW
QTY: 12**



**BOTTOM HUB
BRACKET
QTY: 1**



**1/4-20 PAINTED
HEX NUT
QTY: 6**

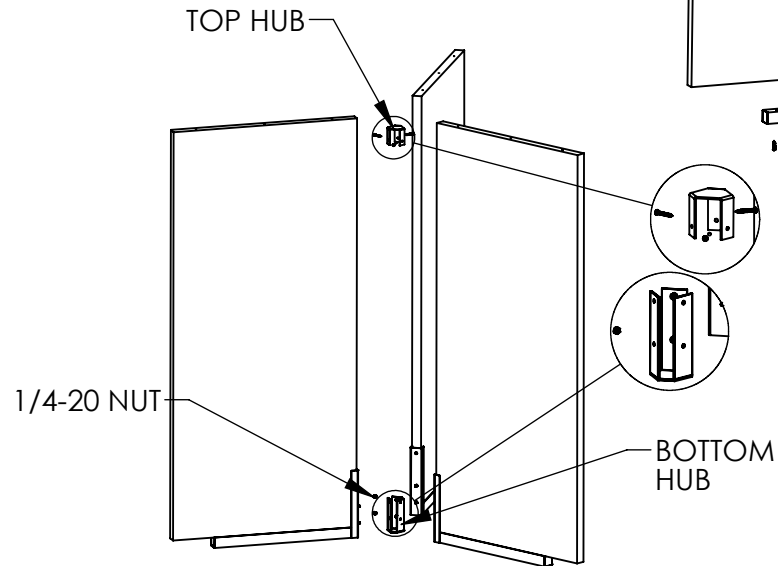
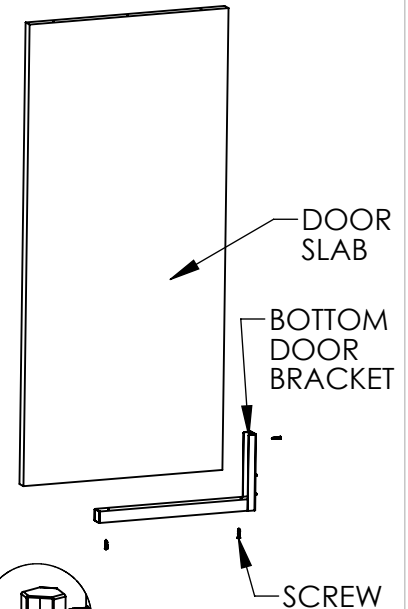
MISC:

- [1] PACKING LIST
- [1] INSTRUCTION SHEET
- [1] #2 X 3 1/2" Lg. PHILLIPS DRIVER
- [1] 7/16" X 4" Lg. NUT DRIVER

REV. 5
1/3/18

STEP 1

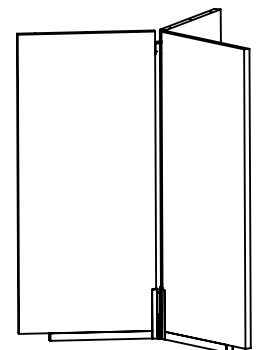
SLIDE BOTTOM DOOR BRACKET OVER SIDE OF DOOR SLAB. SECURE IN PLACE USING [3] #10 X 1 1/2" WOOD SCREWS PROVIDED. PREDRILL WITH 3/16 BIT (NOT PROVIDED) TO ELIMINATE SPLITTING. REPEAT STEP FOR OTHER DOOR SLABS. MAKE SURE DOOR SLAB IS PUSHED UP TIGHT AGAINST HEAD OF [2] BOLTS IN CHANNEL.



STEP 2

SLIDE [2] THREADED POSTS ON BOTTOM DOOR BRACKET THROUGH [2] HOLES IN BOTTOM HUB. SECURE USING [2] 1/4-20 HEX NUTS. REPEAT TO ATTACH OTHER BOTTOM DOOR BRACKETS. NEXT SLIDE TOP HUB DOWN IN BETWEEN DOORS AND SECURE USING [3] SUPPLIED #10 X 1 1/2" WOOD SCREWS.

ASSEMBLY IS COMPLETE!



ASSEMBLED VIEW