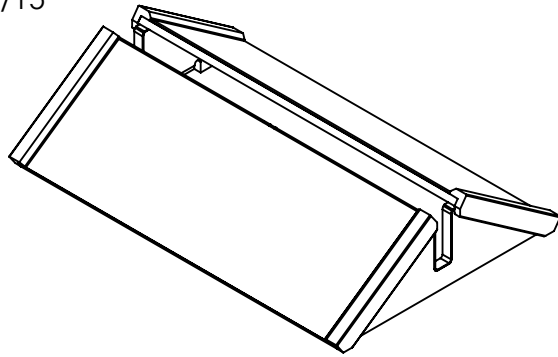


REV.1  
2/11/15

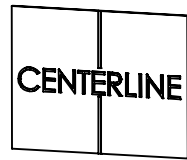


**INTERIOR NON ROTATING BASE  
WITH CENTERLINE STICKER  
QTY: 1**

**HARDWARE BAG:  
[1] PACKING LIST/INSTRUCTIONS**



**PLASTIC SHIM  
QTY: 4**



**CENTERLINE  
TEMPORARY  
STICKER  
QTY: 1**

**QUALITY CONTROL:**

INSPECTED BY: \_\_\_\_\_ DATE: \_\_\_\_\_  
INSPECTED BY: \_\_\_\_\_ DATE: \_\_\_\_\_

**STEP 1**

USE TAPE MEASURE TO FIND THE CENTER OF THE DOOR ALONG THE BOTTOM AND PLACE TEMPORARY STICKER PROVIDED. SEE **FIG. 1**

**STEP 2**

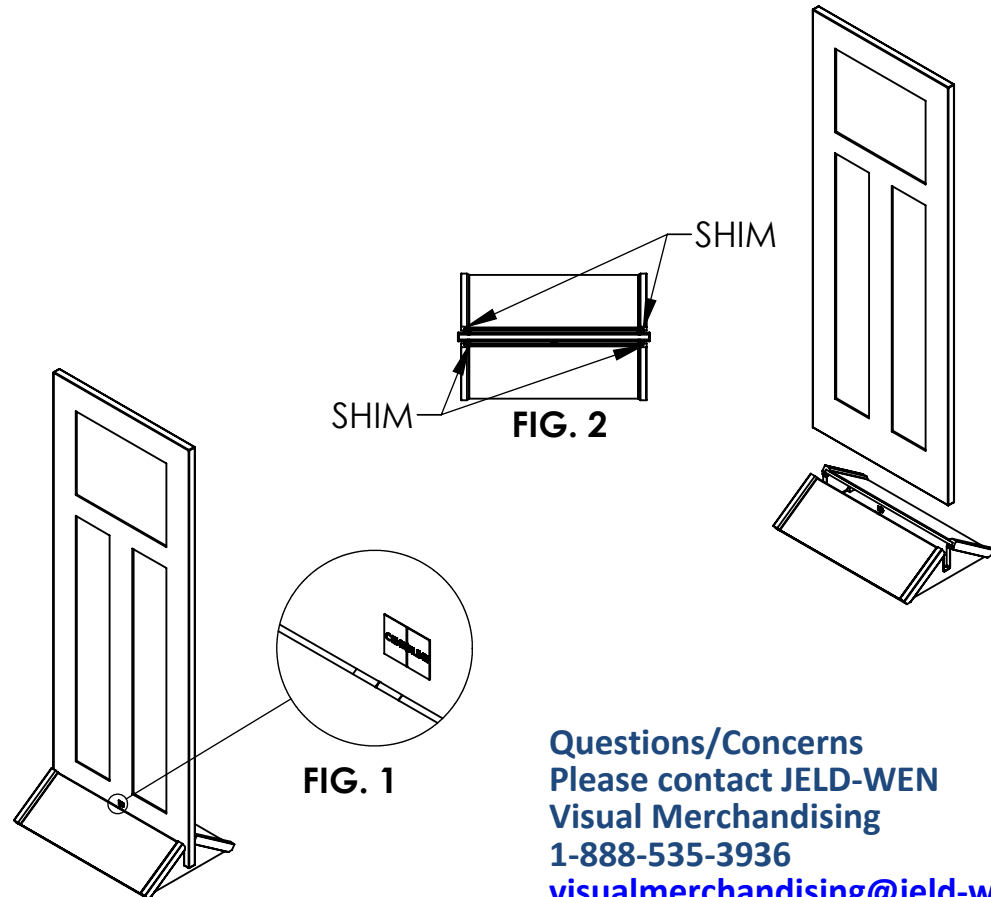
ALIGN STICKER ON DOOR WITH STICKER ON BASE OF THE DISPLAY AND SLIDE DOOR INTO BASE ASSY. REMOVE STICKER FROM THE DISPLAY.

**STEP 3**

IF DOOR IS LOOSE IN BASE ASSY, PUSH [4] PLASTIC SHIMS IN PLACE BY HAND. SEE **FIG. 2**



**PACKING LIST/INSTRUCTIONS  
FOR SINGLE INTERIOR DOOR  
DISPLAY NON ROTATING NO  
HEADER**



Questions/Concerns  
Please contact JELD-WEN  
Visual Merchandising  
1-888-535-3936  
[visualmerchandising@jeld-wen.com](mailto:visualmerchandising@jeld-wen.com)